

FOUNDATIONS FOR STUD BEARING WALLS

THIS EXAMPLE IS PROVIDED AS A GENERAL GUIDE. CONSULT THE DOUGLAS COUNTY TRANSPORTATION AND LAND SERVICES BUILDING DIVISION FOR SPECIFIC REQUIREMENTS.

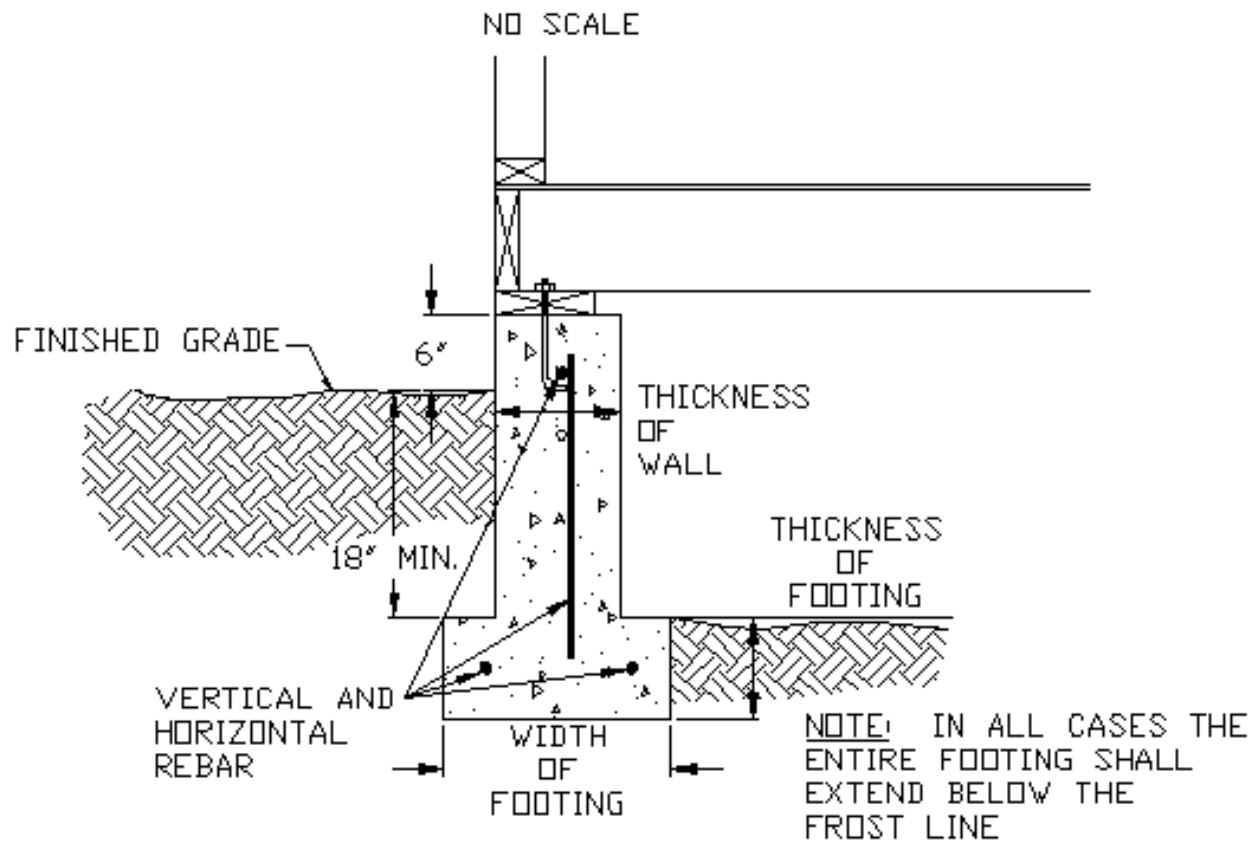


TABLE 18-1-D FOUNDATIONS FOR STUD BEARING WALLS
MINIMUM REQUIREMENTS¹²³⁴

NUMBER OF FLOORS SUPPORTED BY THE FOUNDATION ³	THICKNESS OF FOUNDATION WALL (Inches)	WIDTH OF FOOTING (Inches)	THICKNESS OF FOOTING (Inches)	DEPTH BELOW UNDISTURBED GROUND SURFACE (Inches)
1	6	12	6	18
2	8	15	7	18
3	10	18	8	24

- 1 Where unusual conditions of frost conditions are found, footings and foundations shall be as required in Section 1806.1.
- 2 The ground under the floor may be excavated to the elevation of the top of the footing.
- 3 Foundations may support a roof in addition to the stipulated number of floors. Foundations supporting roofs only shall be as required for supporting one floor.
- 4 Foundation walls over 4'-0" in height are required to be 8' minimum thickness.